



# WORKSHOP TROLLEY 3-LEVEL COMPOSITE WITH PARTS STORAGE

MODEL NO: **CX313.V2**

Thank you for purchasing a Sealey product. Manufactured to a high standard, this product will, if used according to these instructions, and properly maintained, give you years of trouble free performance.

**IMPORTANT:** PLEASE READ THESE INSTRUCTIONS CAREFULLY. NOTE THE SAFE OPERATIONAL REQUIREMENTS, WARNINGS & CAUTIONS. USE THE PRODUCT CORRECTLY AND WITH CARE FOR THE PURPOSE FOR WHICH IT IS INTENDED. FAILURE TO DO SO MAY CAUSE DAMAGE AND/OR PERSONAL INJURY AND WILL INVALIDATE THE WARRANTY. KEEP THESE INSTRUCTIONS SAFE FOR FUTURE USE.



Refer to instructions

## 1. SAFETY

- ❑ **WARNING!** Ensure Health & Safety, local authority, and general workshop practice regulations are adhered to when using this trolley.
- ✓ Always load evenly with the centre of gravity of the load as near centre of the trolley as possible.
- ✗ **DO NOT** overload the trolley - see specifications.
- ✓ Use the trolley in a suitable work area.
- ✓ Keep the work area clean, uncluttered and ensure there is adequate lighting.
- ✓ Keep the trolley clean and tidy in accordance with good workshop practice.
- ✗ **DO NOT** use the trolley for any purpose other than that for which it is designed.
- ✗ **DO NOT** stand on the trolley, use it as a ladder or allow others to ride on the trolley.
- ✓ Use the wheel locks to prevent the trolley from inadvertently moving.
- ✗ **DO NOT** leave unattended, especially when loaded, unless the wheels are locked, chocked or the trolley otherwise secured.
- ✗ **DO NOT** use trolley on uneven ground and do not run over curbs or steps - use a ramp.
- ✗ **DO NOT** use trolley if any part is significantly damaged, paying particular attention to the wheels.
- ✓ Keep children and unauthorised persons away from the work area.

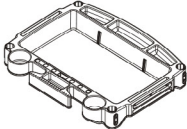
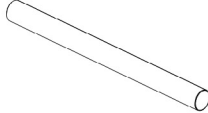
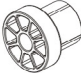


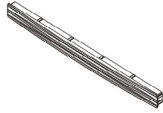


## 2. INTRODUCTION

Composite garage workshop trolley featuring aluminium corner posts with a 30kg capacity per shelf. Each shelf features three compartments with removable dividers, seven tool holder slots, four additional compartments for small fixings and two cup/can holders. These features allow for all of your tools and equipment to be on-hand and easily accessed. Quick and easy to assemble, with four swivel castors, two featuring brakes.

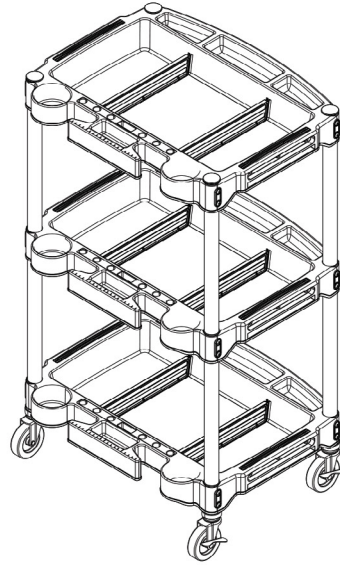
## 3. SPECIFICATION

Model No:.....**CX313.V2**  
 Capacity:.....30kg/level  
 Overall Size (W x D x H): .....570 x 455 x 895mm  
 Shelf Size (W x D):.....495 x 280 x 70mm

## 4. CONTENTS

Description	Qty	Description	Qty	Description	Qty	Description	Qty
 Shelf	3	 Upright	8	 Wheel Seat	4	 Upright Insert	4
						 Screw 3/16*1/2	24
 Side Board	6	 Partition Plate	6	 Swivel Wheel with Brake	Each 2		

## 5. ASSEMBLY



Overall Size (W x D x H): 570 x 455 x 895mm

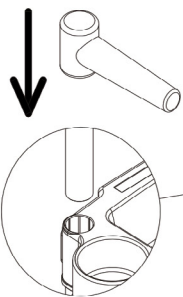


fig.1

1. Install uprights on to the shelves

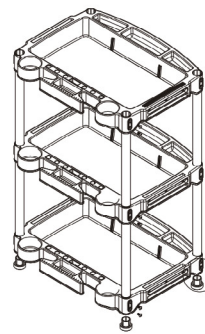


fig.2

2. Insert the wheel seats, and fix with screws (3/16\*1/2)

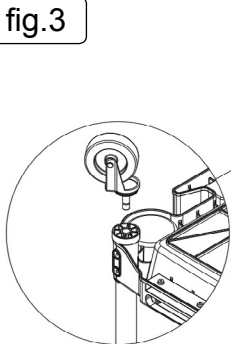


fig.3

3. Install wheels

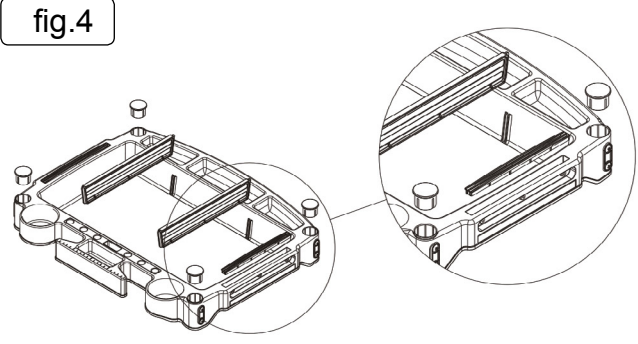


fig.4

4. Put in the upright insert, partition plate and side board



### ENVIRONMENT PROTECTION

Recycle unwanted materials instead of disposing of them as waste. All tools, accessories and packaging should be sorted, taken to a recycling centre and disposed of in a manner which is compatible with the environment. When the product becomes completely unserviceable and requires disposal, drain any fluids (if applicable) into approved containers and dispose of the product and fluids according to local regulations.

**Note:** It is our policy to continually improve products and as such we reserve the right to alter data, specifications and component parts without prior notice. Please note that other versions of this product are available. If you require documentation for alternative versions, please email or call our technical team on [technical@sealey.co.uk](mailto:technical@sealey.co.uk) or 01284 757505.

**Important:** No Liability is accepted for incorrect use of this product.

**Warranty:** Guarantee is 12 months from purchase date, proof of which is required for any claim.

Sealey Group, Kempson Way, Suffolk Business Park, Bury St Edmunds, Suffolk. IP32 7AR



01284 757500



01284 703534



[sales@sealey.co.uk](mailto:sales@sealey.co.uk)



[www.sealey.co.uk](http://www.sealey.co.uk)